

Reg. No.

--	--	--	--	--	--	--	--	--	--

SIDDHARTH INSTITUTE OF ENGINEERING & TECHNOLOGY:: PUTTUR
(AUTONOMOUS)
B.Tech II Year I Semester Supplementary Examinations June 2019
MACHINE DRAWING
 (Mechanical Engineering)

Time: 4 hours

Max. Marks:60

Section – I

(Answer any two questions, 2 x 4 = 8)

1. Sketch the conventional representation of the following materials:
 (a).Metals, (b).Glass
2. Sketch the ACME thread profiles for a pitch 30mm.
3. Sketch a feather key with proportions.

Section – II

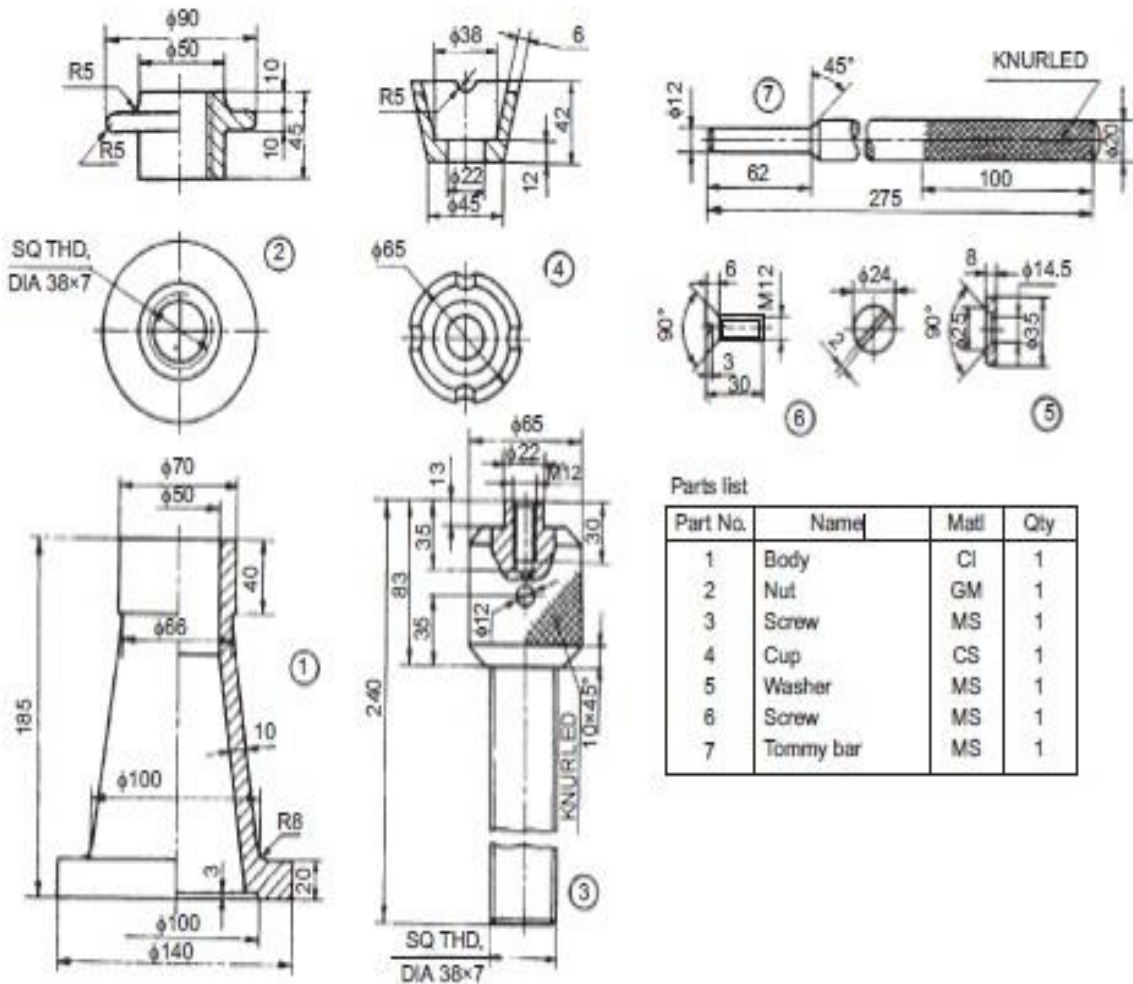
(Answer any two questions, 2 x 8 = 16)

4. Draw half sectional view from the front side of a flanged coupling to connect two shafts, each of diameter 30mm
5. Draw the front view and top view of double riveted chain type lap joint to connect two plates of 15 mm thick.
6. Draw the half sectional view from the front, with top view knuckle joint, to connect two rods of 30mm diameter each.

Section – III

(Compulsory Questions, 1 x 36 = 36)

7. Draw the assembly drawing of Screw Jack shown in figure
 (Take a suitable Scale if needed).



END